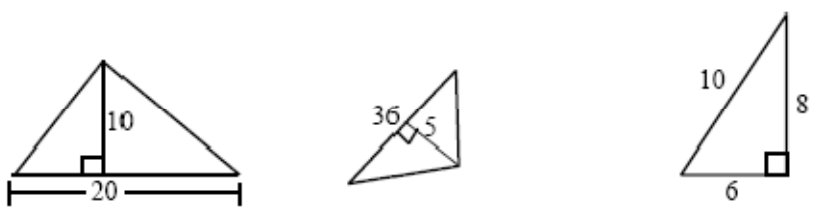
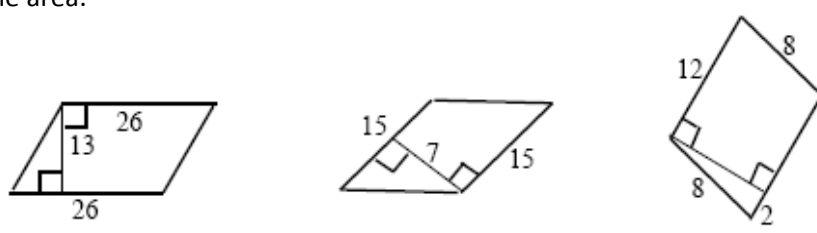
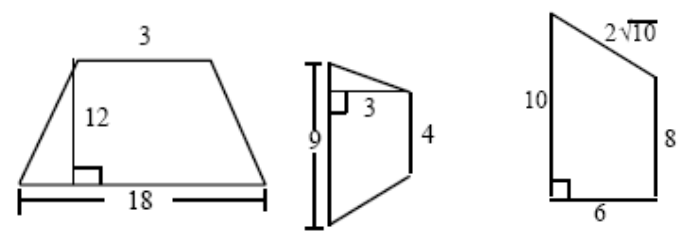
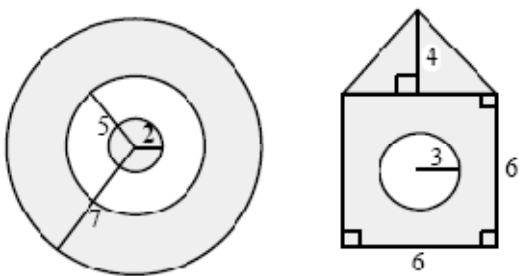


DO NOWS for Week of January 9, 2012

<p>Monday MATH Formula Sheet</p>	<p>Find the area.</p> 
<p>Tuesday Formula Sheet</p>	<p>Find the area.</p> 
<p>Wednesday Formula Sheet</p>	<p>Find the area.</p> 
<p>Thursday Formula Sheet</p>	<p>Find the area of the shaded region.</p> 
<p>Friday Formula Sheet</p>	<p>Find the area of the shaded region.</p> 